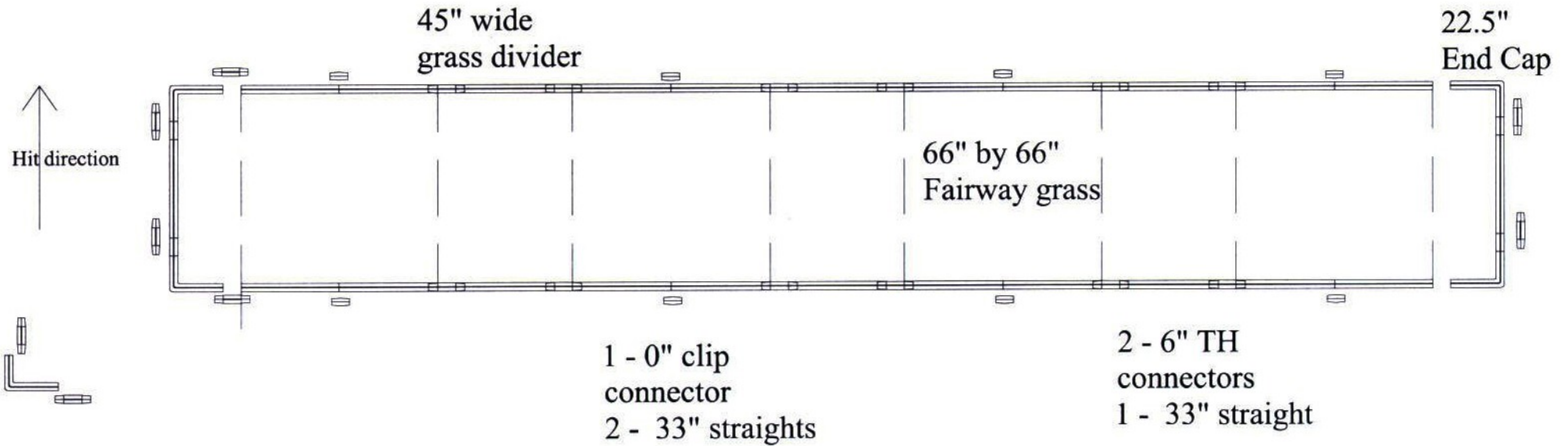
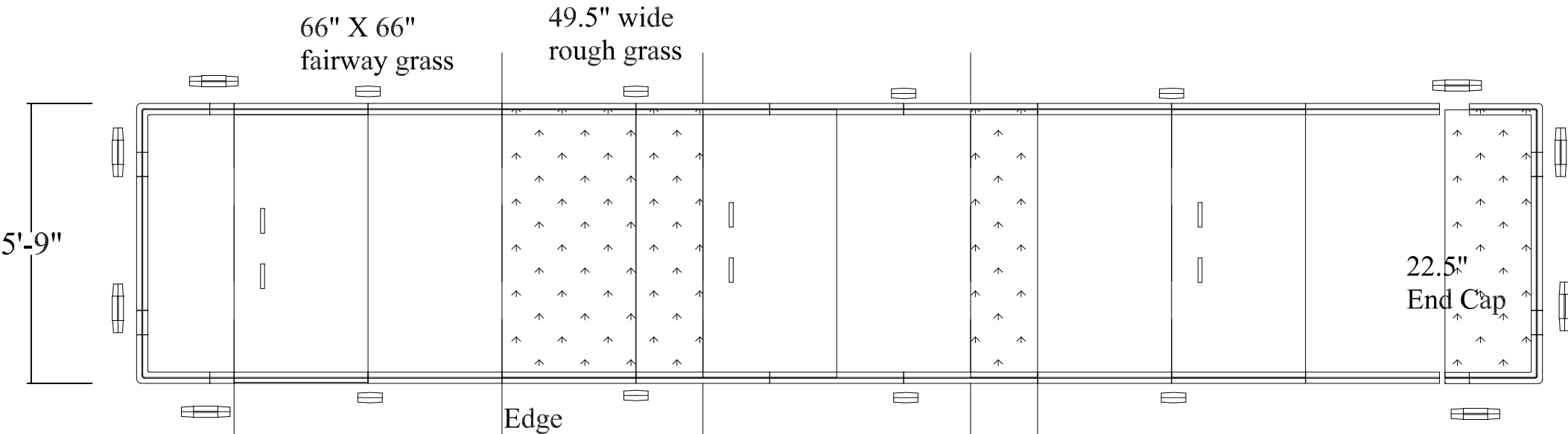


Tee Line Model TL059 assembly pattern
 at 9.25' center to center - 3.75' rough divider sections.



Frame parts required: 0" clips - 8; 6" TurfHound clips - 20;
 Corners - 4; 33" straights - 24

Tee Line Model TL059 assembly pattern
 @ 9'6" center to center - 49.5" rough divider sections.



Frame end cap assembly;

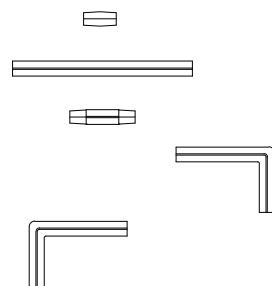
0 - 0" quick connects

1 - 33" straights

4 - 6" quick connects

1 - Right hand corner

1 - Left hand corner



Turf End Cap Assembly;

1 - 22.5" x 66" end caps

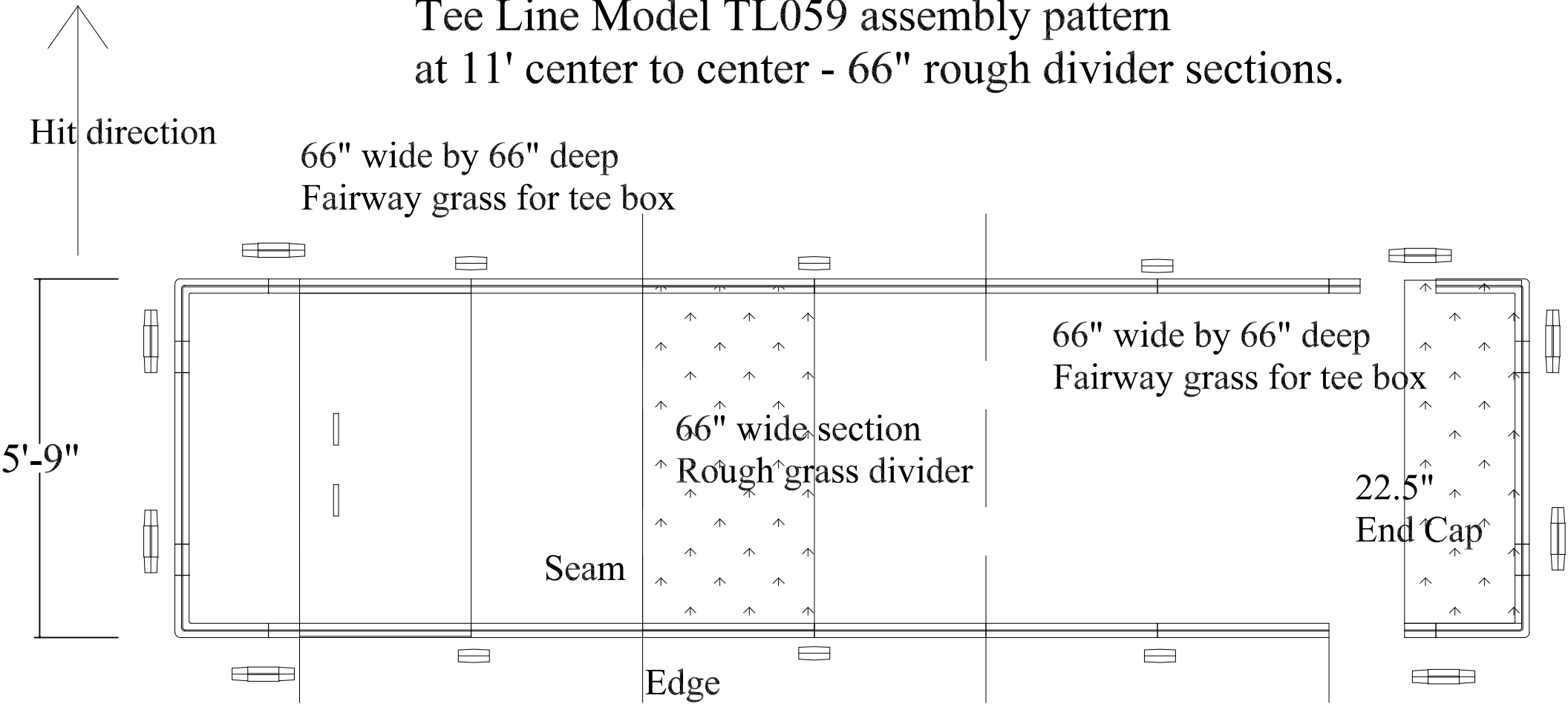
Fairway Stations Assembly;

2 - 33" x 66" fairway panels

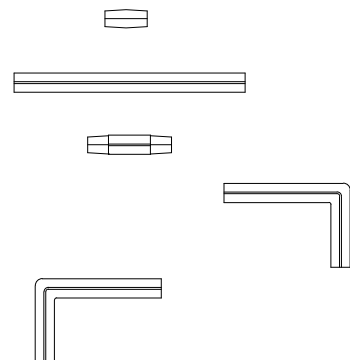
Rough Section Assembly;

2 - 33" x 66" rough panels

Tee Line Model TL059 assembly pattern at 11' center to center - 66" rough divider sections.

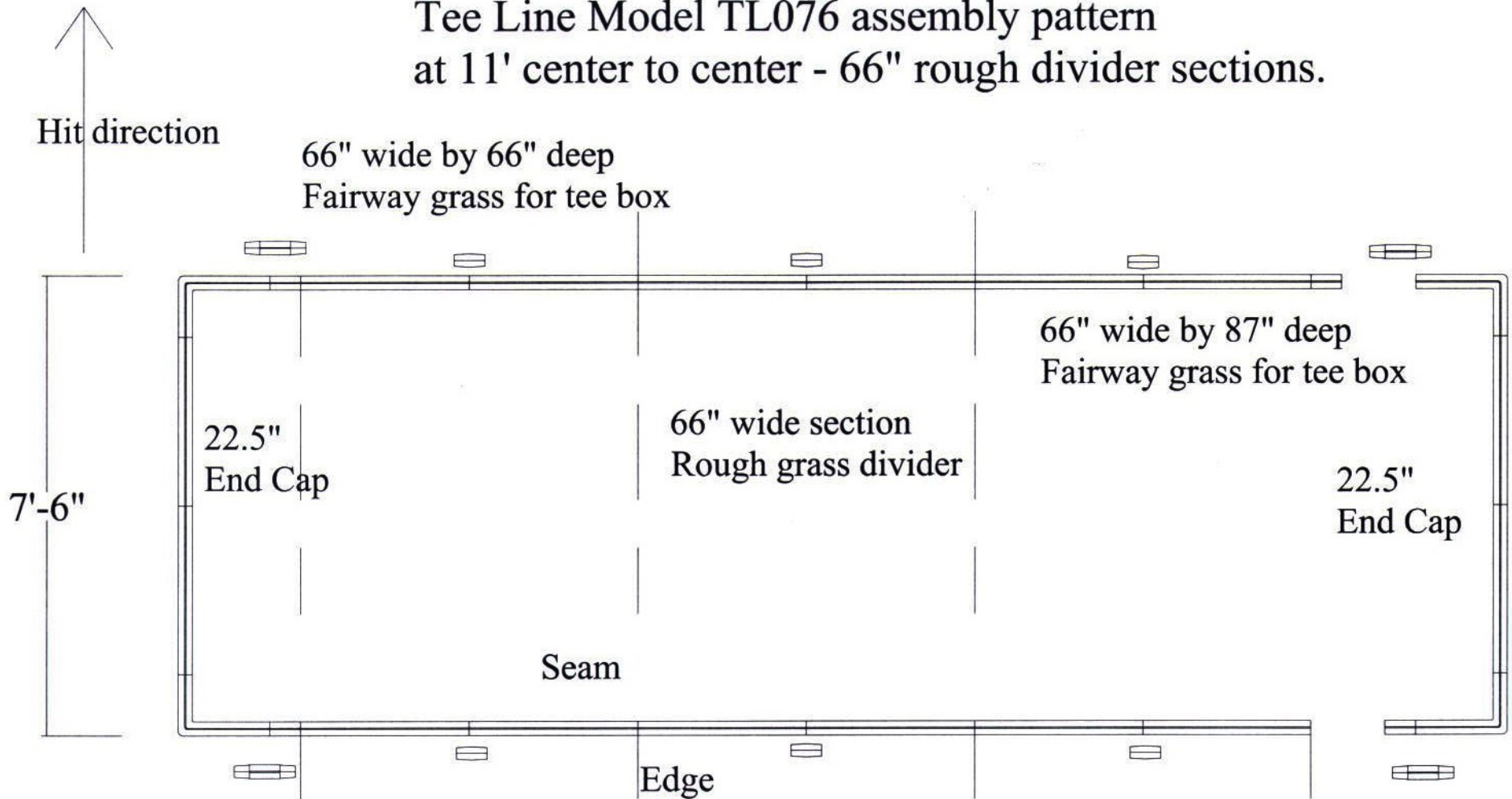


- Frame end cap assembly;
 0 - 0" quick connects
 1 - 33" straights
 4 - 6" quick connects
 1 - Right hand corner
 1 - Left hand corner



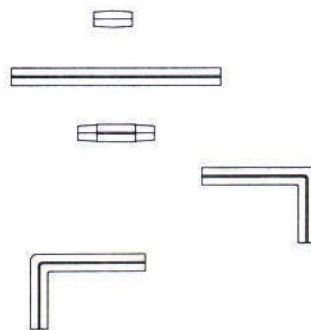
- Turf End Cap Assembly;
 1 - 22.5" x 66" end caps
 Fairway Stations Assembly;
 2 - 33" x 66" fairway panels
 Rough Section Assembly;
 2 - 33" x 66" rough panels

Tee Line Model TL076 assembly pattern at 11' center to center - 66" rough divider sections.



Frame end cap assembly;

- 3 - 0" quick connects
- 2 - 33" straights
- 2 - 6" quick connects
- 1 - Right hand corner
- 1 - Left hand corner



Turf End Cap Assembly;

- 1 - 22.5" x 87" end caps